

Product Info

AVAILABLE
2017 June 1st

PI.16005GB

From Olivier Gaspar

Date 24/11/2016

Reference: L20SC10L,L20SC20L, L20SC40L, L20SC50L, L20SC60L, L20SC10M,L20SC20M, L20SC40M, L20SC50M, L20SC60M, L20SC10H,L20SC20H, L20SC40H, L20SC50H, L20SC60H

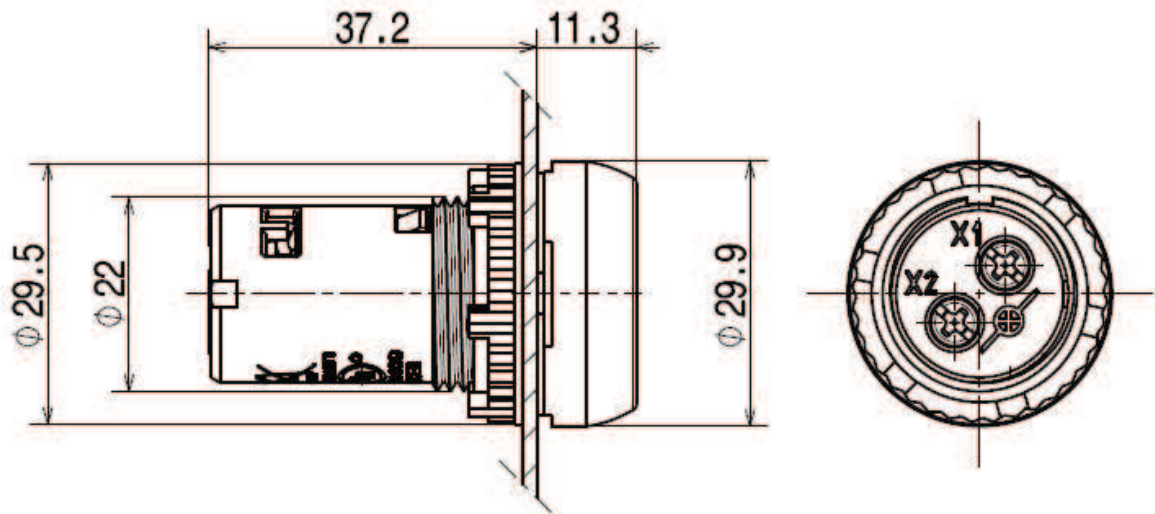
Designation: New One Piece Pilot Lights 24V, 130V and 230V

Subject: Ø22mm One Piece Pilot Lights with integrated led 24V, 130V and 230V



Baco Part Number	Order management Number	Description
L20SC10L	224601	24V AC/DC Red One piece Pilot Light
L20SC20L	224602	24V AC/DC Green One piece Pilot Light
L20SC40L	224604	24V AC/DC Yellow One piece Pilot Light
L20SC50L	224600	24V AC/DC White One piece Pilot Light
L20SC60L	224603	24V AC/DC Blue One piece Pilot Light
L20SC10M	224606	130V AC/DC Red One piece Pilot Light
L20SC20M	224607	130V AC/DC Green One piece Pilot Light
L20SC40M	224609	130V AC/DC Yellow One piece Pilot Light
L20SC50M	224605	130V AC/DC White One piece Pilot Light
L20SC60M	224608	130V AC/DC Blue One piece Pilot Light
L20SC10H	224611	230V AC/DC Red One piece Pilot Light
L20SC20H	224612	230V AC/DC Green One piece Pilot Light
L20SC40H	224614	230V AC/DC Yellow One piece Pilot Light
L20SC50H	224610	230V AC/DC White One piece Pilot Light
L20SC60H	224613	230V AC/DC Blue One piece Pilot Light

Measurement:



Technical characteristics:

Protection index :

- IP 66 and IP69K following IEC 60529
- NEMA 4x,12,13
- IP 20 at the back of panel following IEC 60529

Protection against mechanical impact:

- IK 05 following IEC 62262

Operating voltage :

- 24 V AC/DC (+/- 10%)
- 130 V AC/DC* (+/- 10%)
- 230 V AC/DC* (+/- 10%)

*Declarative rating

Terminals :

- Screw terminals unpolarized

Tightening torque for terminals :

- Recommended 1.2N.m.

Consumption :

- 24V : 4.6mA
- 130V : 5.2mA
- 230V : 4.6mA

Lifetime at rated supply voltage :

- Red: 100 000 hours at 25°C
- Others colours: 50 000 hours at 25°C

Insulation voltage :

- 300 V

Pollution degree :

- 3

Tightening torque for locking ring :

- Recommended 3 N.m. or tightened with fixing tool to hand tight after pressure point plus another half turn

Electrical insulation :

- . Classe II according to IEC 60947-5-1

Operating temperature :

- . minimum : -25°C maximum : +70°C

Storage Temperature :

- . minimum : -40°C maximum : +70°C

Cold test :

- . according to IEC 60068-2-1

Dry heat test :

- . according to IEC 60068-2-2

Constant humidity test :

- . according to IEC 60068-2-3

Materials:

- PC (Lens)
- PA66 fiber glass loaded(Body and ring)

Certifications and conformity:

- CB test (IEC 60947-5-1); CE; CCC; UL and BV
- Compliant with RoHs and Reach

Packaging:

- Minimum Order Quantity=10

Guarantee:

- 10 years guarantee

On demand engraving:

With Symbol code to be added at the end of the part number

Baco Part Number	Order management Number(Generic code)	Description
L20SC31Lxxx	100641	24V AC/DC Red One piece Pilot Light engraved
L20SC32Lxxx	100641	24V AC/DC Green One piece Pilot Light engraved
L20SC34Lxxx	100641	24V AC/DC Yellow One piece Pilot Light engraved
L20SC35Lxxx	100641	24V AC/DC White One piece Pilot Light engraved
L20SC36Lxxx	100641	24V AC/DC Blue One piece Pilot Light engraved
L20SC31Mxxx	100641	130V AC/DC Red One piece Pilot Light engraved
L20SC32Mxxx	100641	130V AC/DC Green One piece Pilot Light engraved
L20SC34Mxxx	100641	130V AC/DC Yellow One piece Pilot Light engraved
L20SC35Mxxx	100641	130V AC/DC White One piece Pilot Light engraved
L20SC36Mxxx	100641	130V AC/DC Blue One piece Pilot Light engraved
L20SC31Hxxx	100641	230V AC/DC Red One piece Pilot Light engraved
L20SC32Hxxx	100641	230V AC/DC Green One piece Pilot Light engraved
L20SC34Hxxx	100641	230V AC/DC Yellow One piece Pilot Light engraved
L20SC35Hxxx	100641	230V AC/DC White One piece Pilot Light engraved
L20SC36Hxxx	100641	230V AC/DC Blue One piece Pilot Light engraved

Tampo printing colours for lens:

- Yellow and White = Black ink
- Red, Green and Blue= White ink